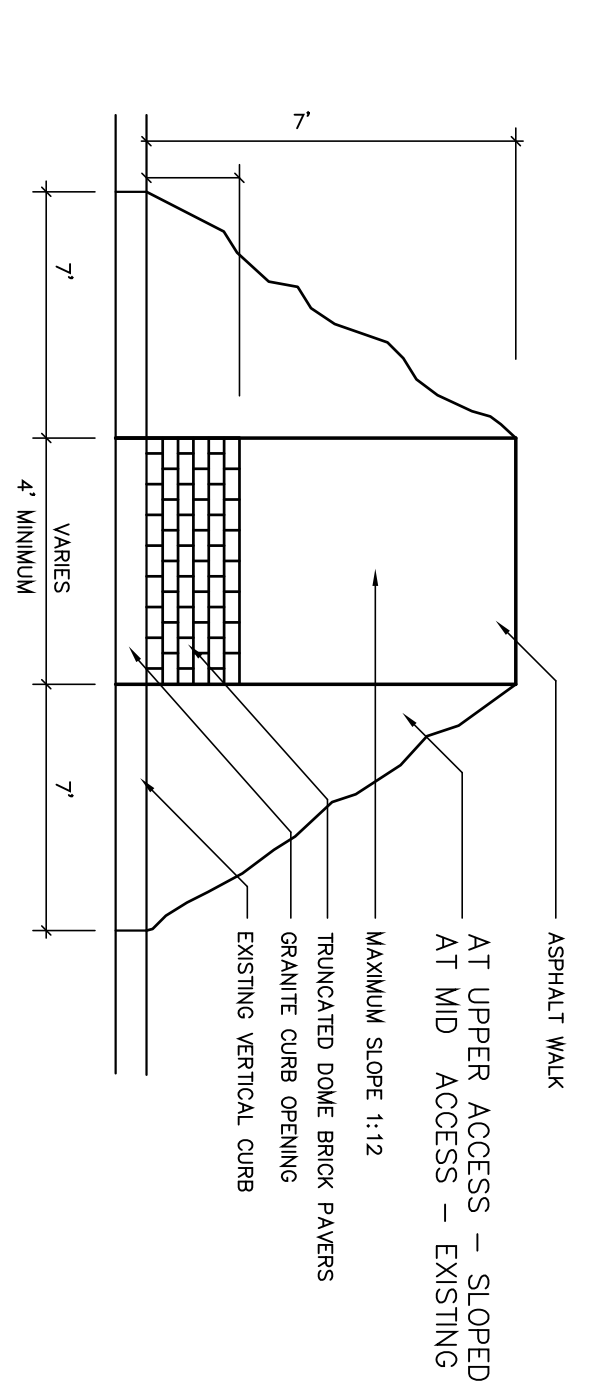
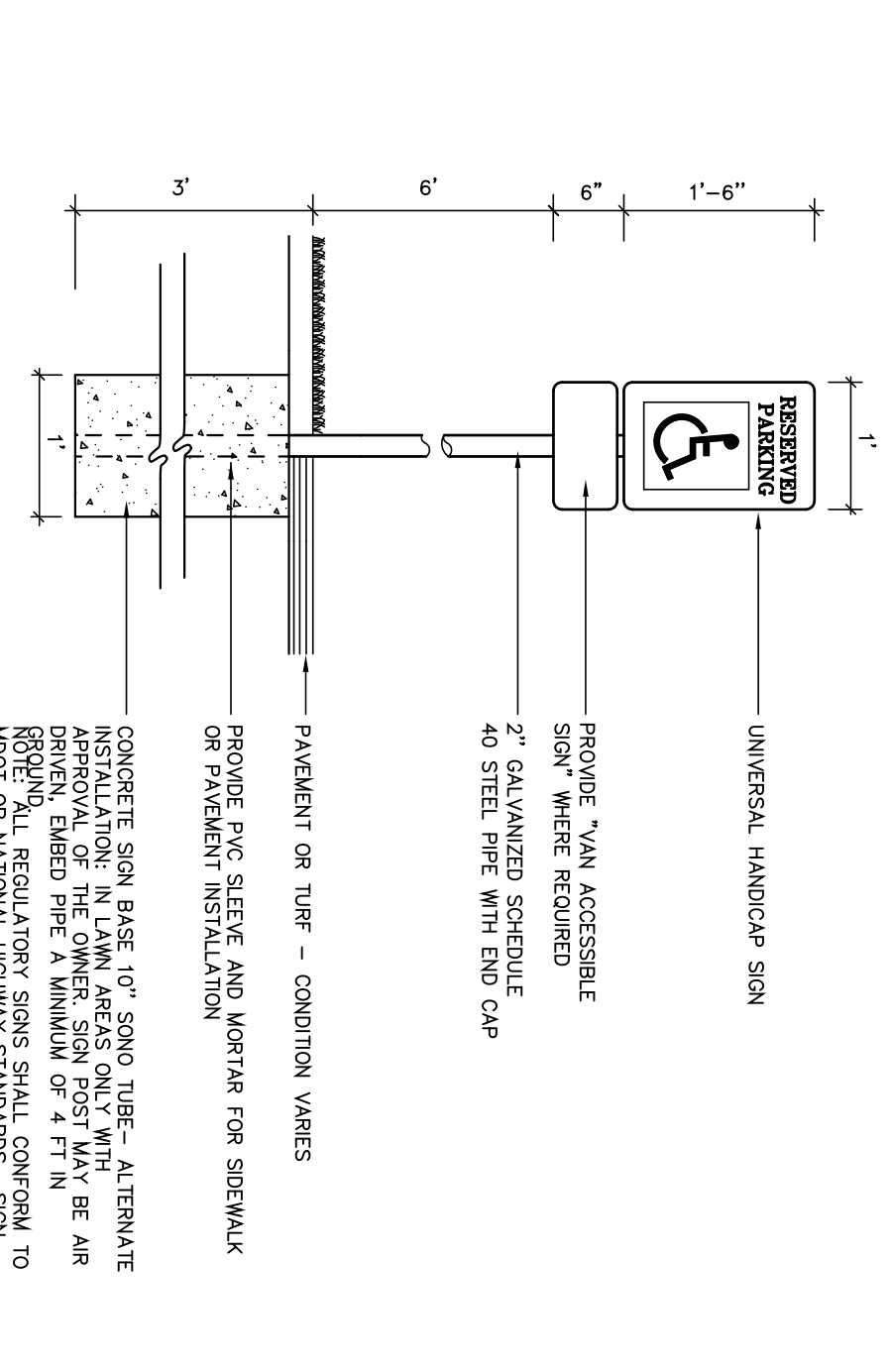


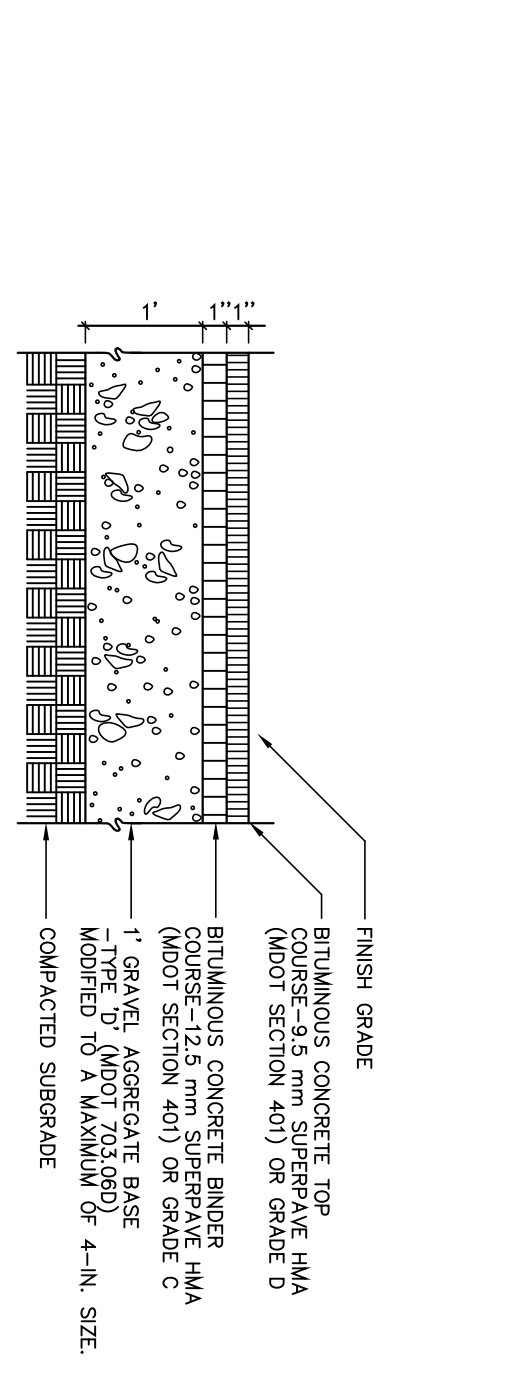
1 HANDICAP RAMP
NOT TO SCALE



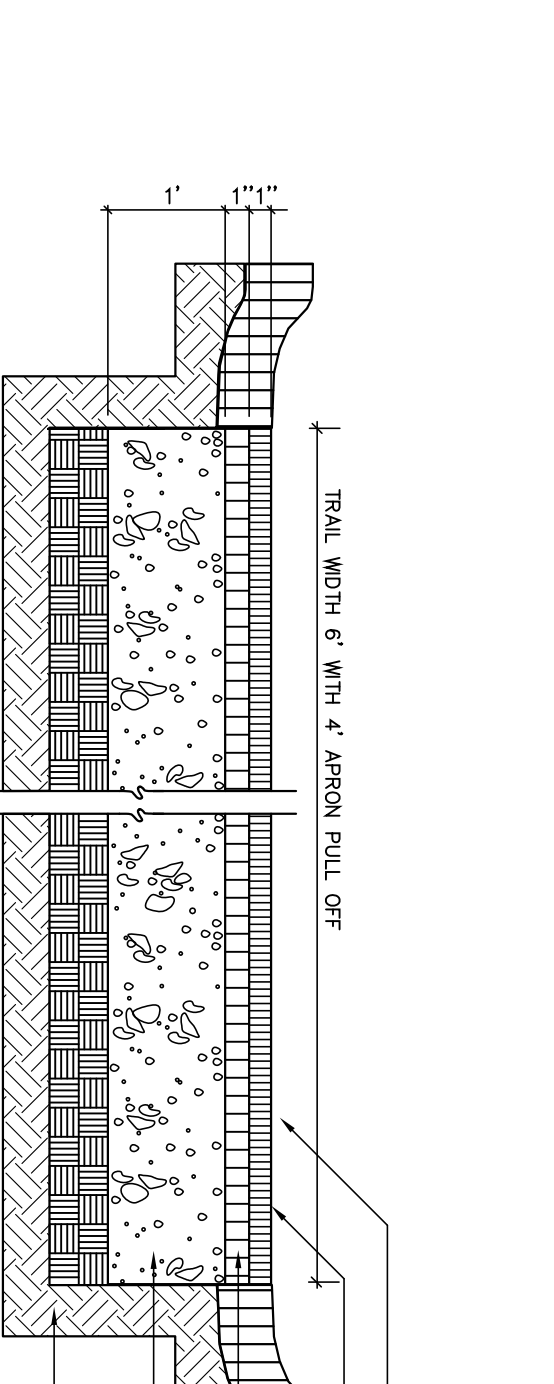
2 HANDICAP ACCESS - TRAIL
NOT TO SCALE



3 HANDICAP PARKING SIGNAGE & DIRECTIONAL SIGNAGE
NOT TO SCALE



4 BITUMINOUS SIDEWALK
NOT TO SCALE



5 BITUMINOUS TRAIL
NOT TO SCALE

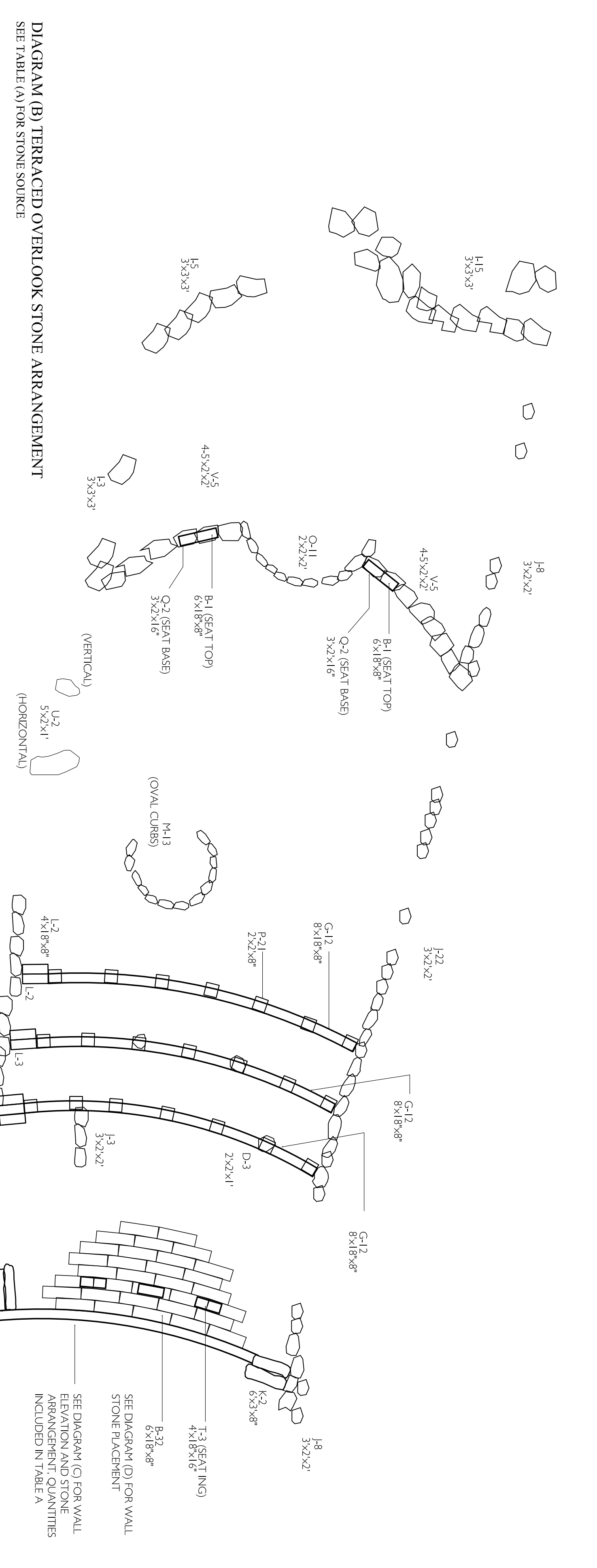


DIAGRAM (A) BIKE OVERLOOK STONE ARRANGEMENT
SEE TABLE (A) FOR STONE SOURCE

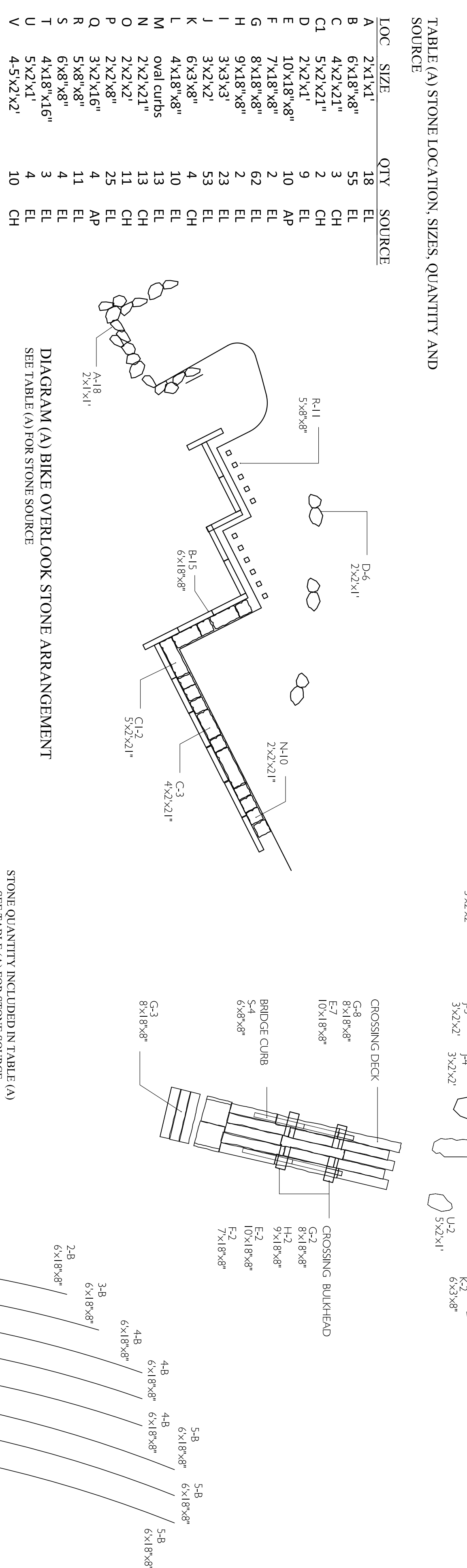


DIAGRAM (B) TERRACED OVERLOOK STONE ARRANGEMENT
SEE TABLE (A) FOR STONE SOURCE

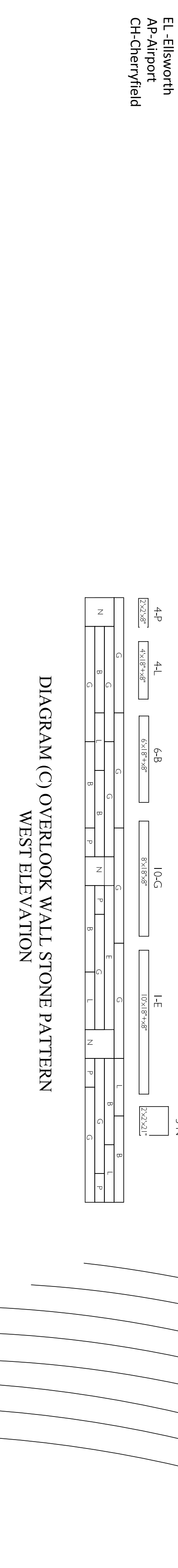


DIAGRAM (C) OVERLOOK WALL STONE PATTERN
WEST ELEVATION



DIAGRAM (D) OVERLOOK PAVING PLAN
ELLSWORTH STONE F-32, 6x18x8"
STONE QUANTITY INCLUDED IN TABLE (A)

TABLE (A) STONE LOCATION, SIZES, QUANTITY AND SOURCE

LOC	SIZE	QTY	SOURCE
A	2'x1'x1'	18	EL
B	6'x18'x8"	55	EL
C	4'x2'x21"	3	CH
CI	5'x2'x21"	2	CH
D	2'x2'x1'	9	EL
E	10'x18'x8"	10	AP
F	7'x18'x8"	2	EL
G	8'x18'x8"	62	EL
H	9'x18'x8"	2	EL
I	3'x3'x2'	23	EL
J	3'x2'x2'	53	EL
K	6'x3'x8"	4	CH
L	4'x18'x8"	10	EL
M	2'x2'x21"	13	CH
N	2'x2'x2'	11	CH
O	2'x2'x8"	25	EL
P	3'x2'x16"	4	AP
Q	5'x8'x8"	11	EL
R	6'x8'x8"	4	EL
S	4'x18'x16"	3	EL
T	5'x2'x1'	4	EL
U	4'x2'x2'	10	CH

STONE QUANTITY INCLUDED IN TABLE (A)
SEE TABLE (A) FOR STONE SOURCE

4P	4L	6B	10G	1E	3N
2A	3B	4B	4A	5B	5A

STONE QUANTITY INCLUDED IN TABLE (A)
SEE TABLE (A) FOR STONE SOURCE

C-8	9'x8'x8"	CROSSING DECK
E-7	10'x18'x8"	CROSSING BULKHEAD
E-3	10'x18'x8"	CROSSING BULKHEAD
H-2	9'x18'x8"	CROSSING BULKHEAD
F-2	7'x18'x8"	CROSSING BULKHEAD
E-3	10'x18'x8"	CROSSING BULKHEAD
S-4	10'x18'x8"	CROSSING BULKHEAD
E-3	10'x18'x8"	CROSSING BULKHEAD
F-2	7'x18'x8"	CROSSING BULKHEAD
2A	6'x18'x8"	CROSSING BULKHEAD
3B	6'x18'x8"	CROSSING BULKHEAD
4B	6'x18'x8"	CROSSING BULKHEAD
4A	6'x18'x8"	CROSSING BULKHEAD
5B	6'x18'x8"	CROSSING BULKHEAD
5A	6'x18'x8"	CROSSING BULKHEAD

PROJ. MANAGER	JEFF TWEEDIE	BY	DATE
DESIGN-DETAILED	x	x	X-12
CHECKED-REVIEWED	x		X-12
DESIGN2-DETAILED2	x	x	
DESIGN3-DETAILED3	x		
REVISIONS 1			
REVISIONS 2			
REVISIONS 3			
REVISIONS 4			
FIELD CHANGES			