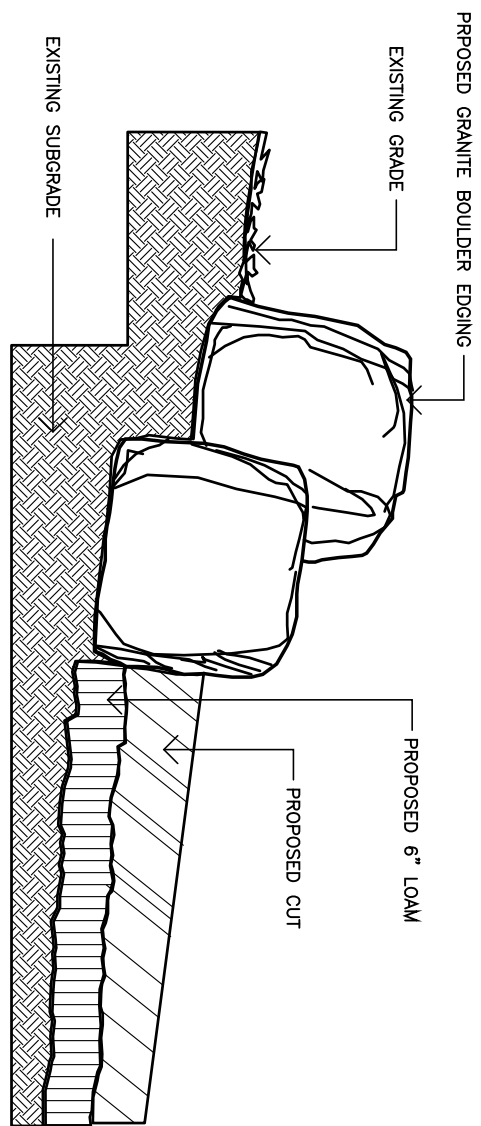
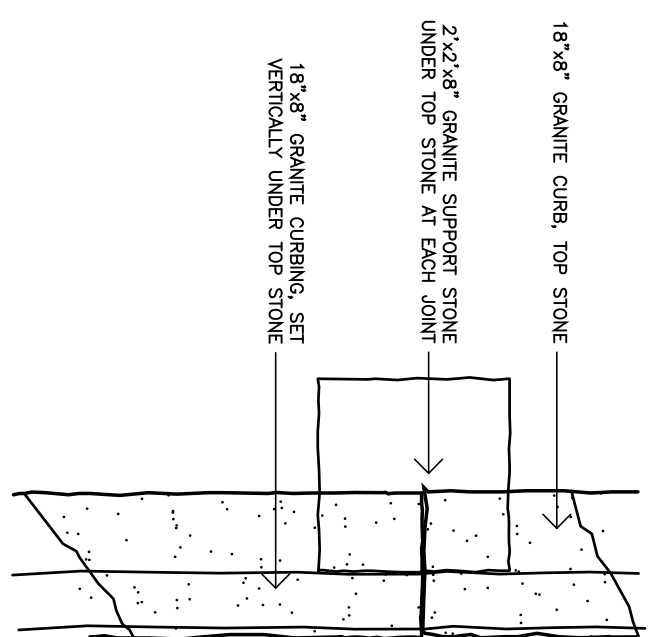


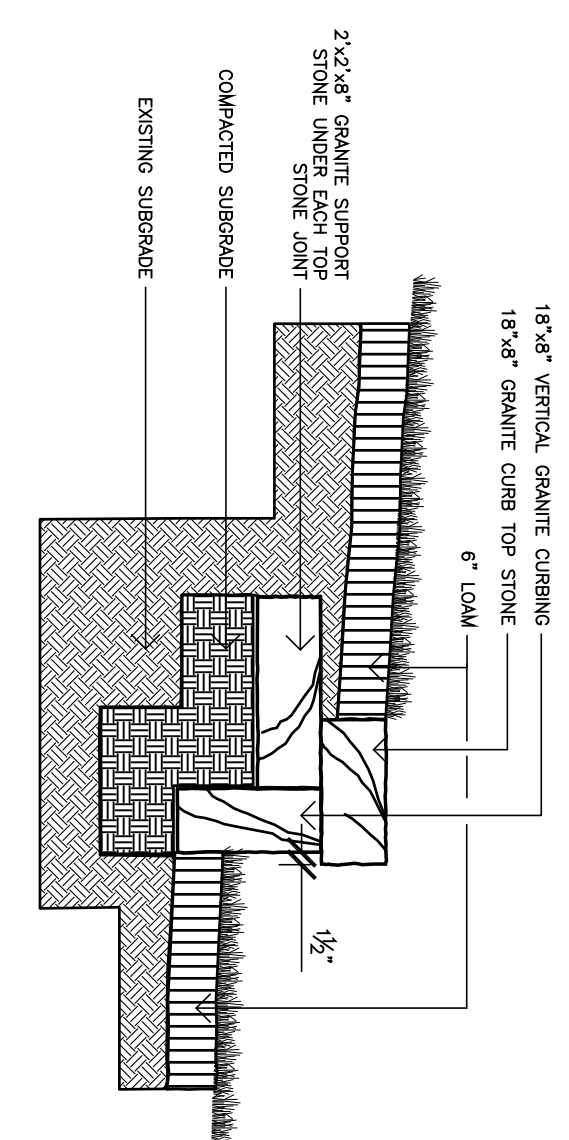
1 ELEVATION – OVERLOOK WALL
NOT TO SCALE



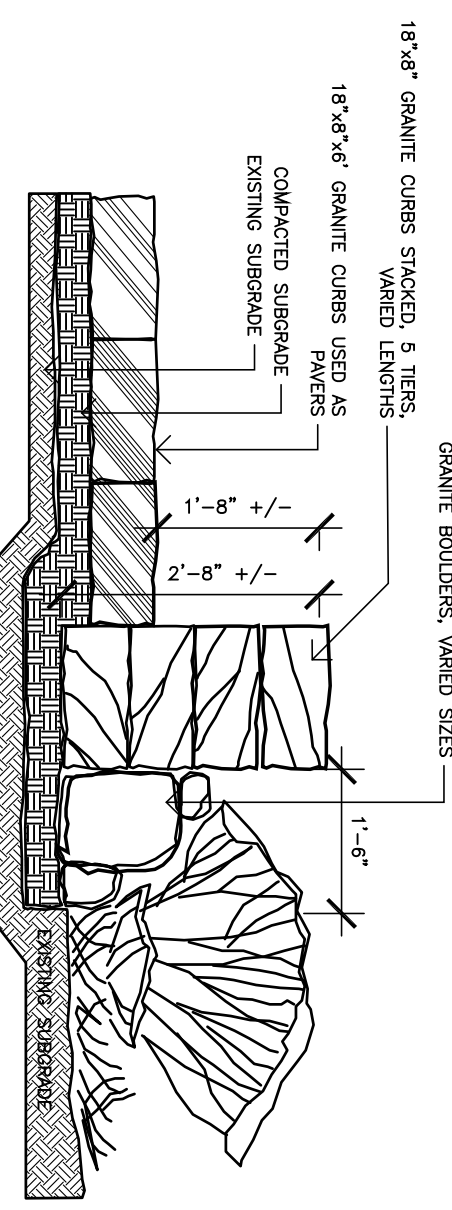
5 SECTION – THRU PLAY AREA'S REAR EDGE
NOT TO SCALE



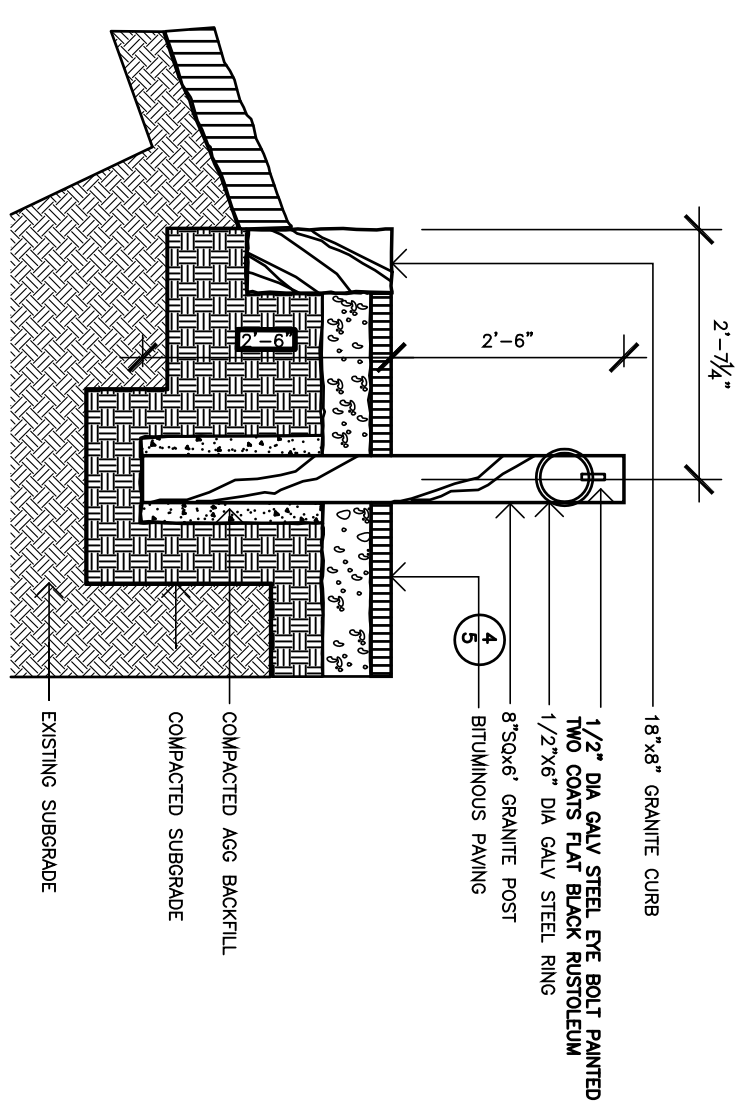
9 PLAN – TERRACE SEATING
NOT TO SCALE



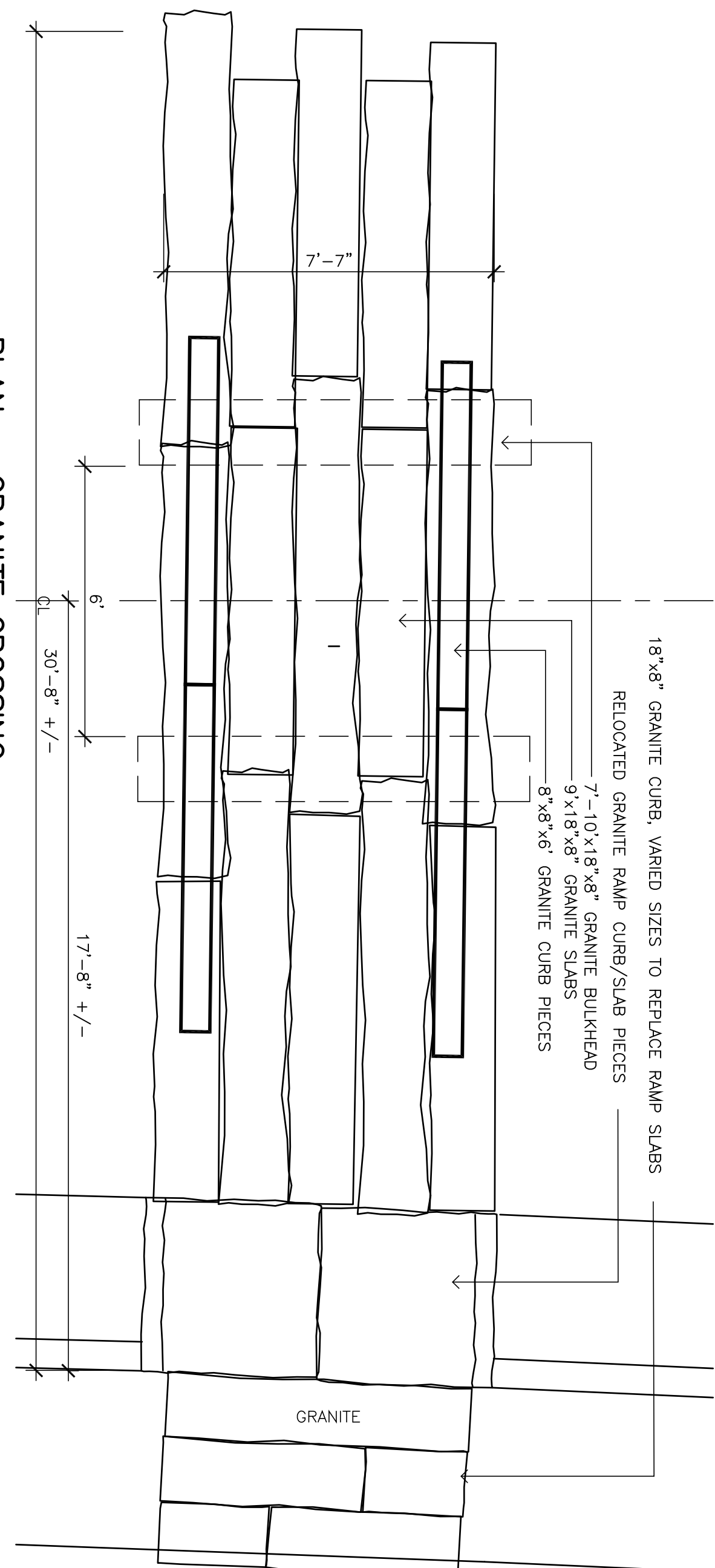
13 SECTION – THRU TERRACE SEATING
NOT TO SCALE



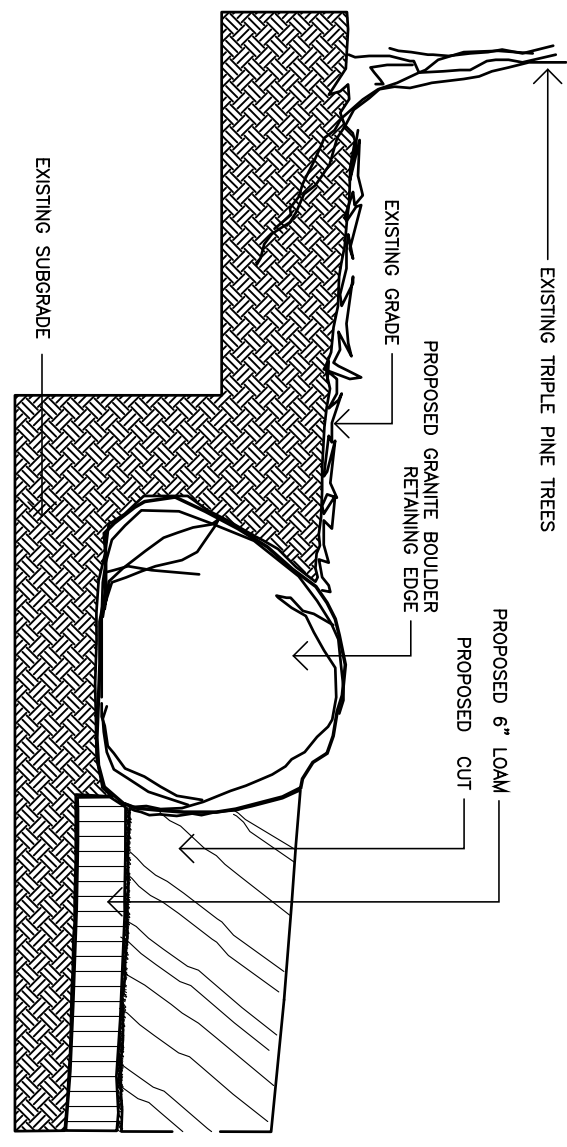
2 SECTION – THRU OVERLOOK WALL, PAVEMENT
NOT TO SCALE



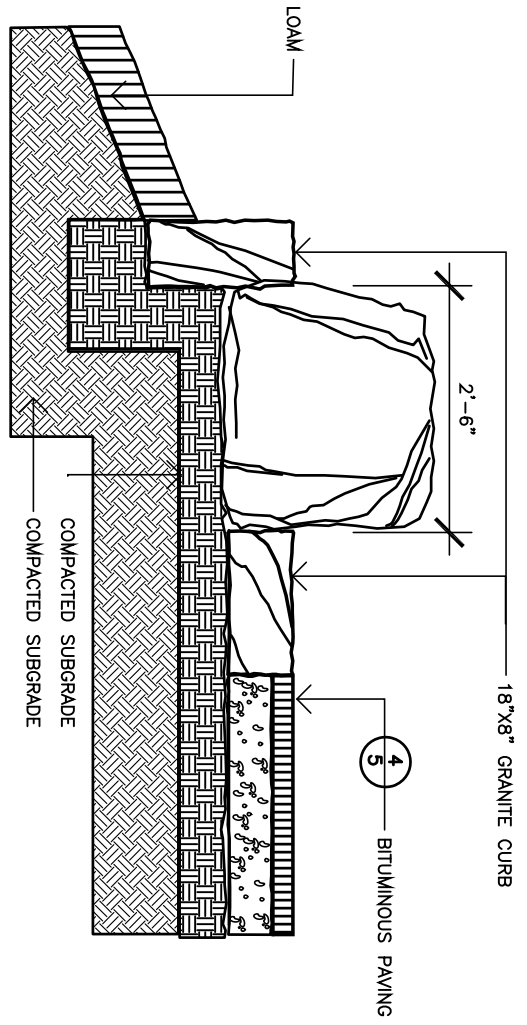
6 SECTION – THRU BIKE RACK AREA
NOT TO SCALE



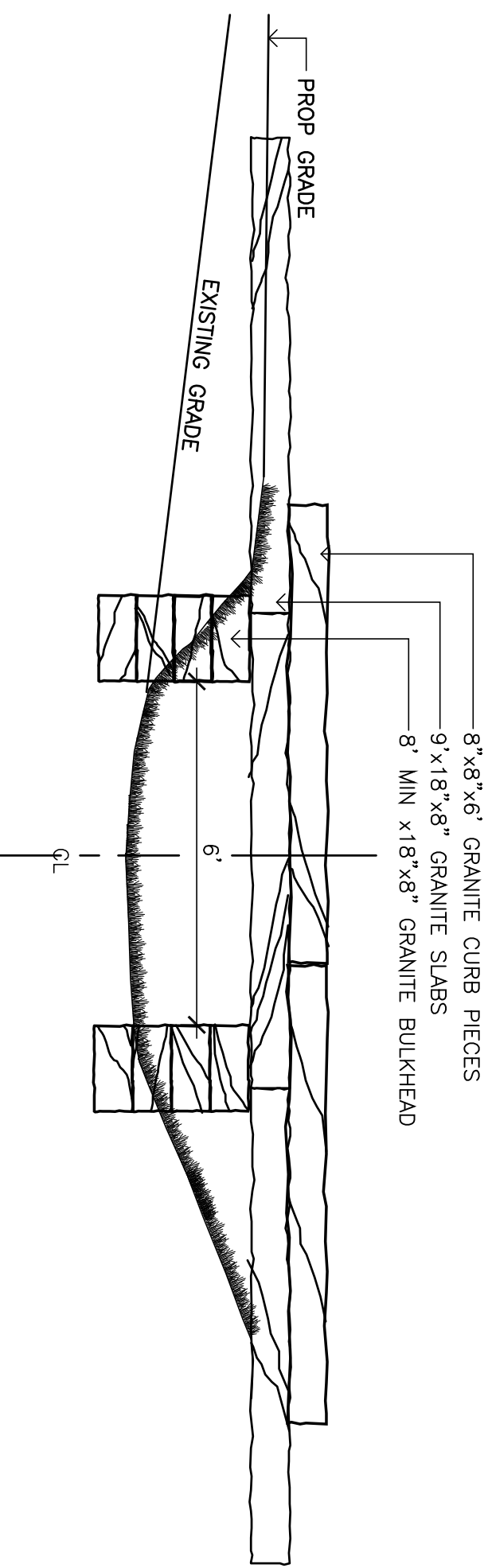
10 PLAN – GRANITE CROSSING
NOT TO SCALE



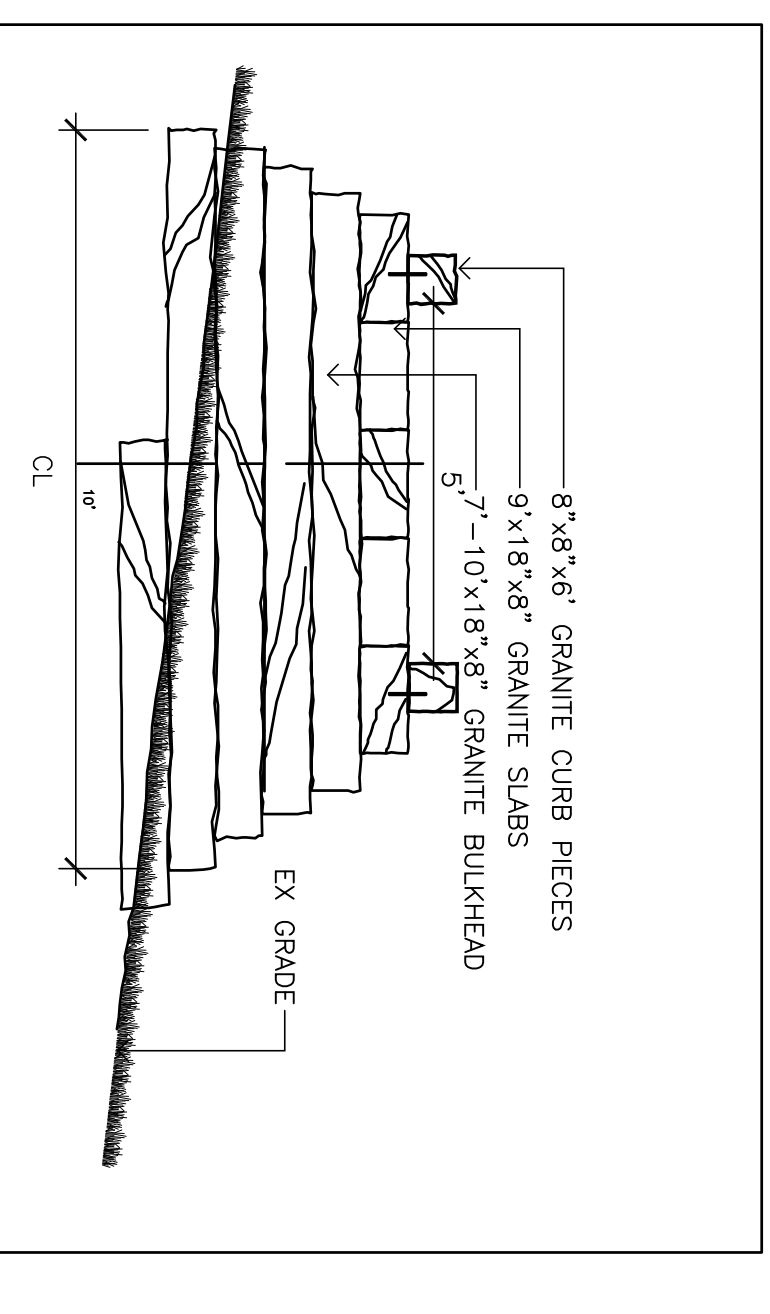
3 SECTION – THRU PINE TREE, TREE WELL
NOT TO SCALE



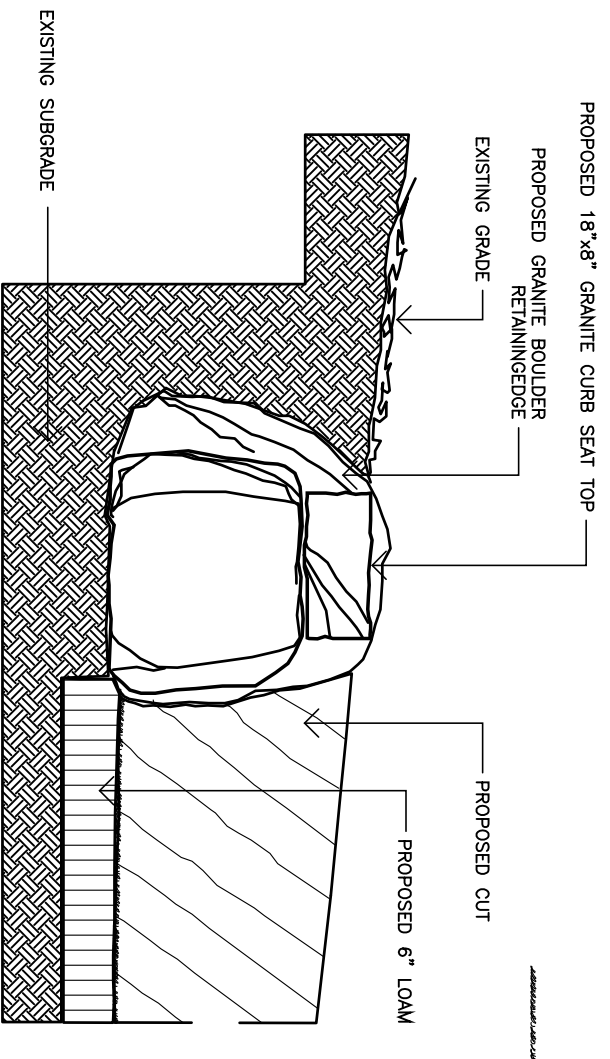
7 SECTION – THRU BIKE RACK AREA SEATING
NOT TO SCALE



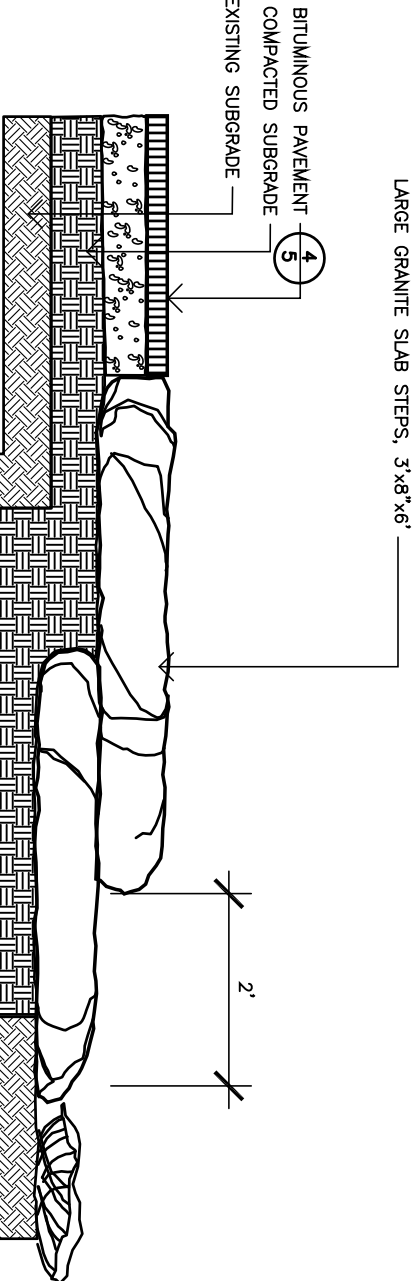
11 ELEVATION – GRANITE CROSSING
NOT TO SCALE



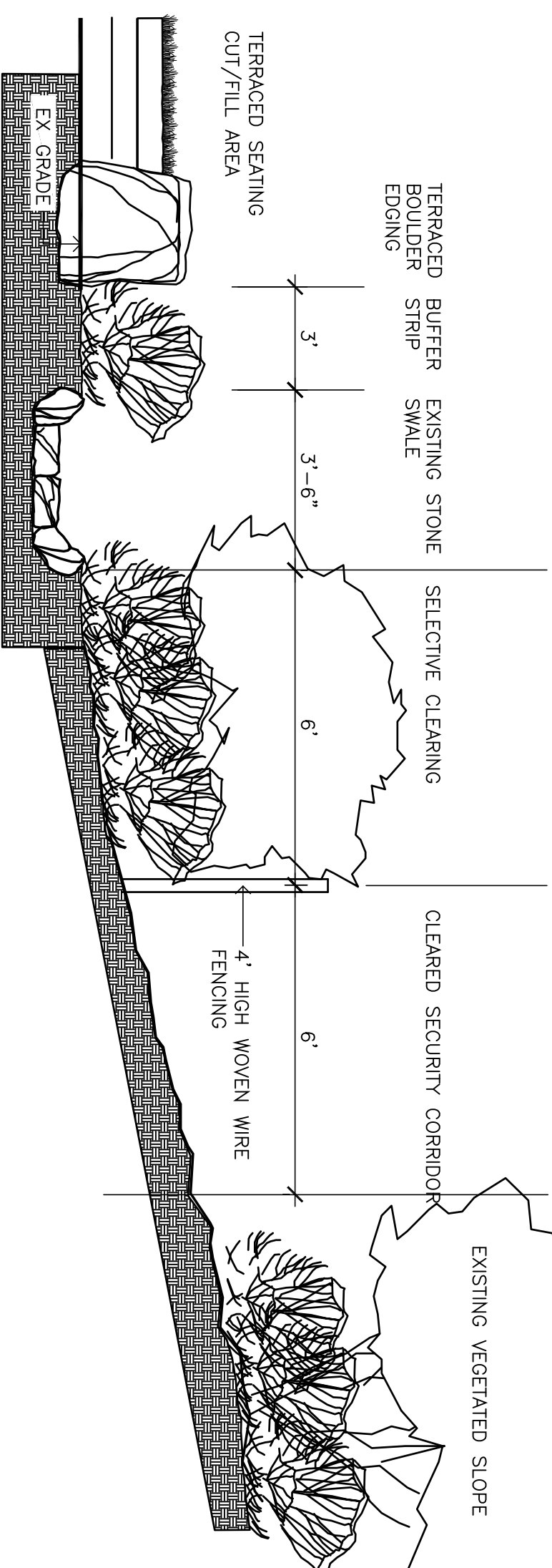
12 SECTION-ELEVATION THRU-GRANITE CROSSING
NOT TO SCALE



4 SECTION – THRU PINE TREE SEAT WALL
NOT TO SCALE



8 SECTION – THRU OVERLOOK STEPS
NOT TO SCALE



12 SECTION THRU SWALE – SECURITY FENCE
NOT TO SCALE

PROJ. MANAGER	JEFF TWEEDIE	BY	DATE
DESIGN-DETAILED	X	X	X-12
CHECKED-REVIEWED	X		X-12
DESIGN2-DETAILED2	X	X	
DESIGN3-DETAILED3			
REVISIONS 1			
REVISIONS 2			
REVISIONS 3			
REVISIONS 4			
FIELD CHANGES			

Trenton MDI Scenic Turnout
Maine Department of Transportation
Town of Trenton, Maine

DETAILS